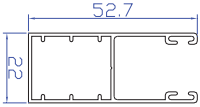

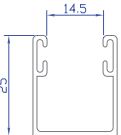

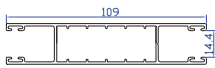

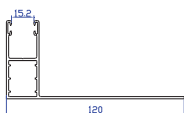

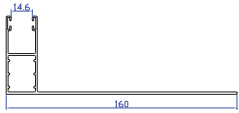

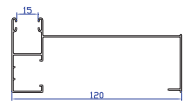

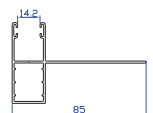

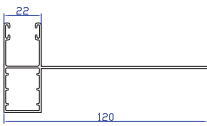

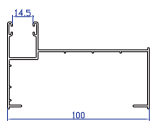

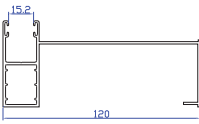

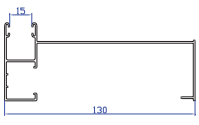

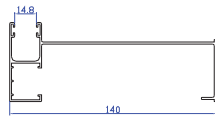

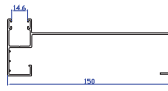

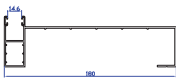

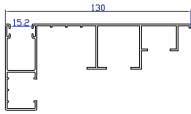

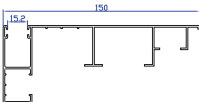

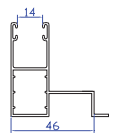

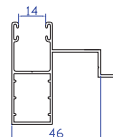

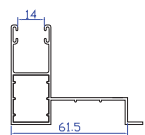

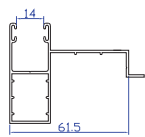

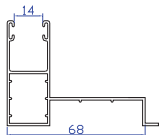

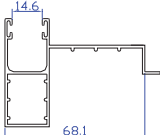

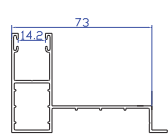

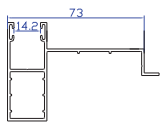

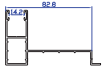

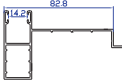

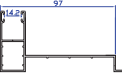

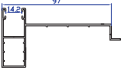

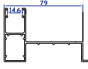

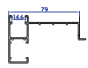



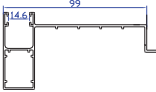

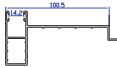

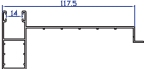

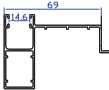

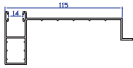

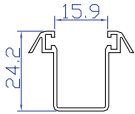

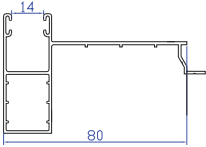

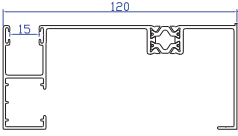

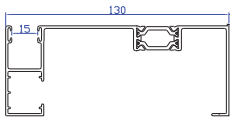

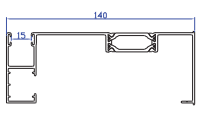

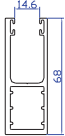

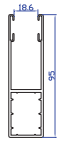

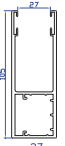

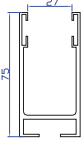

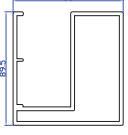

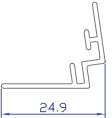
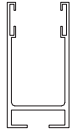
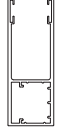



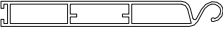


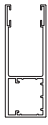
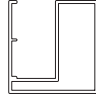



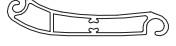


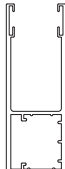
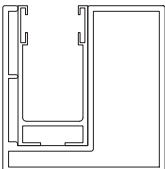



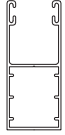


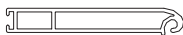
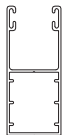

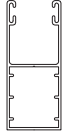





PLANO	3D	ARTICULO	PERIMETRO
		H-25 Ref. 50527	34
		U-25 Ref. 50528	17,8
		HD-25 Ref. 50109	59,5
		HSL-25 Ref. 50120	52,1
		HSL-160 Ref. 50162	60,5
		HSL-A 120 ABIERTA Ref. 50081	58,4
		T-85 Ref. 50681	45,7
		T-120 Ref. 50018	52
		HSL-A 100 Ref. 50083	52,8
		HSL-A 120 Ref. 50981	61,4
		HSL-A 130 ABIERTA Ref. 50086	59,9
		HSL-A 140 ABIERTA Ref. 50140	62,5

PLANO	3D	ARTICULO	PERIMETRO
		HSL-A 150 ABIERTA Ref. 50150	64,6
		HSL-A 180 Ref. 50180	77,2
		HSL-130 PREMARCO Ref. 50085	75,9
		HSL-150 PREMARCO Ref. 01134	79,9
		ABATIBLE A-4,6 Ref. 50696	41,2
		EMPOTRAR E-4,6 Ref. 50701	41,3
		EMPOTRAR E-4,6 Ref. 50697	44,6
		EMPOTRAR E-4,6 Ref. 50699	44,7
		ABATIBLE A-6,8 Ref. 50695	45,6
		EMPOTRAR E-6,8 Ref. 50698	47,1
		ABATIBLE A-7,3 Ref. 50673	47,3
		EMPOTRAR E-7,3 Ref. 50674	47

PLANO	3D	ARTICULO	PERIMETRO
		ABATIBLE A-8,3 Ref. 50671	48,7
		EMPOTRAR E-8,3 Ref. 50672	49
		ABATIBLE A-9,7 Ref. 50691	52
		EMPOTRAR E-9,7 Ref. 50692	52
		A-8 PREMARCO Ref. 50690	50,7
		E-8 PREMARCO Ref. 50762	47,3
		A-10 PREMARCO Ref. 50689	54,6
		E-10 PREMARCO Ref. 50095	54,6
		EMPOTRAR E-10 Ref. 50677	52,7
		EMPOTRAR E-11,7 Ref. 50676	56,5
		E-6,9 PREMARCO Ref. 50772	47,7
		E-11,5 PREMARCO Ref. 50704	57,4

PLANO	3D	ARTICULO	PERIMETRO
		X-25 Ref. 50311	18,3
		E-80 HUECA Ref. 50693	48,7
		HSL-A-120 RPT Ref. 5225120	69,3
		HSL-A-130 RPT Ref. 5236130	71
		HSL-A-140 RPT Ref. 5225140	
		SUPERFICIE 68 Ref. 50702	39,3
		AUTOBLOCANTE 15 Ref. 50160	54,2
		SUPERFICIE 105 Ref. 50703	63,7
		PERSIANA SEGURIDAD Ref. 50161	46,5
		TAQUILLA ANTIBLOQUE Ref. 50163	84,1
		ANGULO ENRASE Ref. 1330	15

MODELO GUÍA		MODELO LAMA
		 Ref. 60633
Ref. 50161	Ref. 50703	 Ref. 60635
		 Ref. 60652
	Ref. 50160	 Ref. 01551
		 Ref. 60643
		 Ref. 01550
Ref. 50703	Ref. 50163	 Ref. 60635
		 Ref. 60627
	Ref. 50160	 Ref. 60626
		 Ref. 60625
		 Ref. 60649
Ref. 50703	Ref. 50163/50161	 Ref. 60650
		 Ref. 60651
		 Ref. 60653
	Ref. 50527	 Ref. 60654
		 Ref. 60637
		 Ref. 60634
	Ref. 50527	
		 Ref. 60636
	Ref. 50527	 Ref. 60638
		 Ref. 60637